



UK and Ireland distributor

WINLET 350

Dual Circuit Window & Glass Installation Robot

Best installation control for safe and productive lifting

The **Winlet 350** robot revolutionises the installation of glass, with capacities of up to 350kg and overhead installation all within a compact design for work in confined areas.



Wired remote control



350kg

360° rotation

180° tilt

Technical specification

Max. working height	2,800mm
Max. extension from front bumper to suction cup	790mm
Extension capacity at max extension	200kg
Side lift capacity	200kg
Linear	90mm
Fine lift on jib head	500mm
Suction cups (Glass)	4 @ 270mm Ø
Total machine weight	617kg
Light weight excluding counterweights	512kg
Power source	Battery 110v on-board charger
Remote control	Wired

Features include



Easy to operate stabilisers



Transport loads on side up to 200kg



Wired remote control allows accurate placement of materials



Vacuum Robots course



Northern
01482 227333

Central
01302 341659

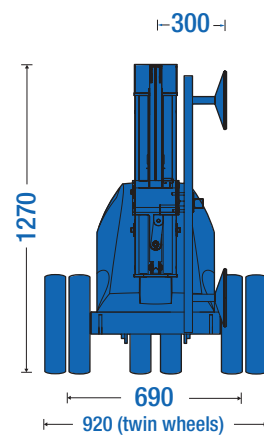
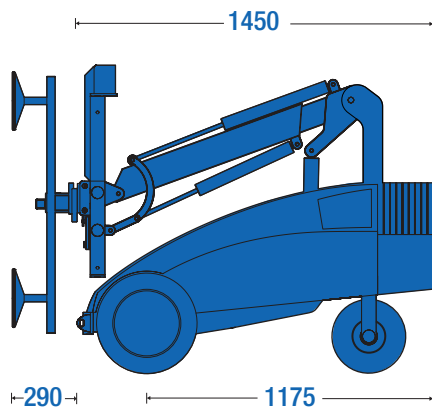
Western
01384 900388

Southern
0203 174 0658

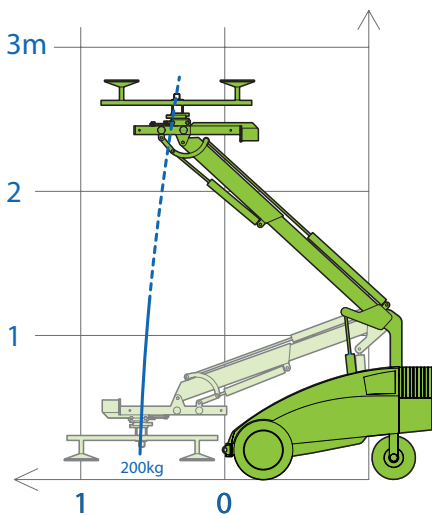


The Winlet 350 is narrow enough to fit through a standard doorway and can side lift and transport up to 200kg

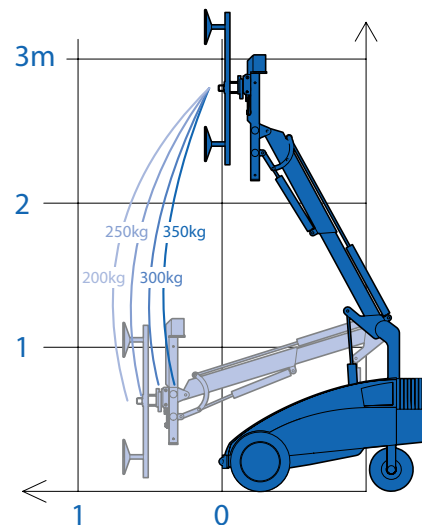
Dimensions (mm)



Pick and place



Reach



Product specifications are subject to change without notice or obligation. The photographs and/or drawings in this document are for illustrative purposes only.